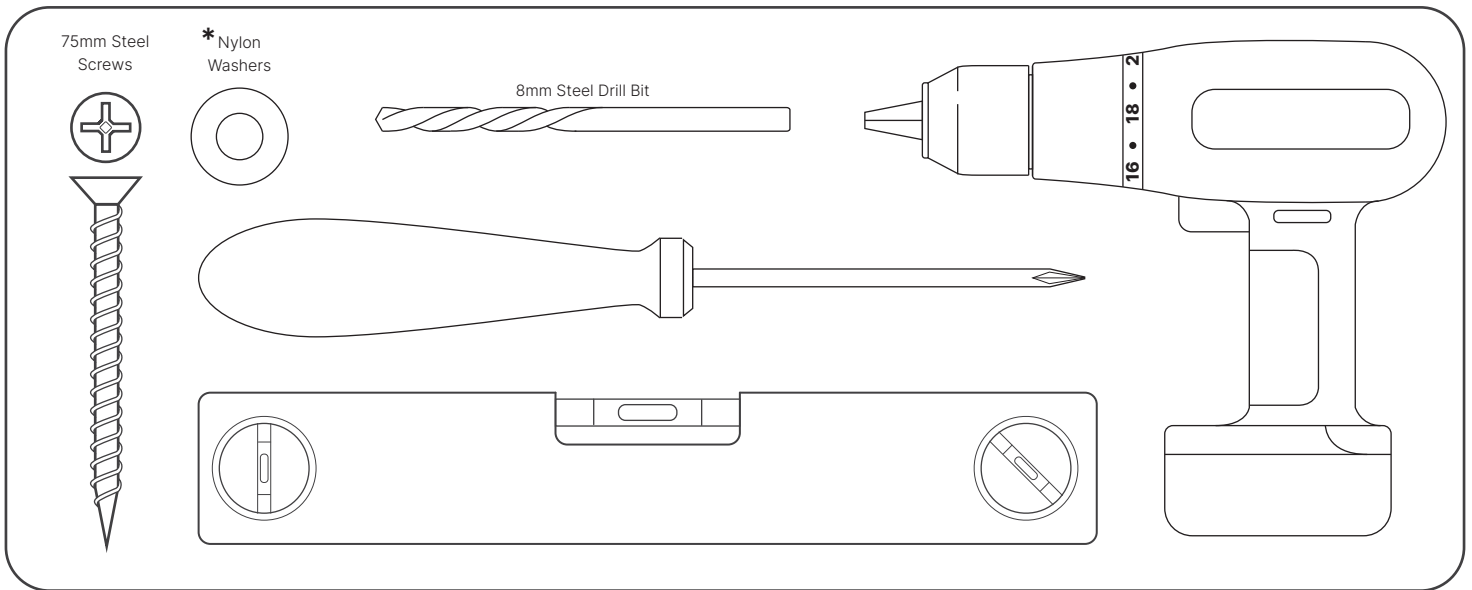


# EWI ELECTRICITY METER BOX Fitting Instructions

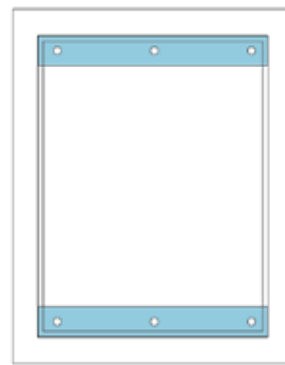


These instructions are relative to both EWI Electricity Meter Boxes with:

External Fixing  
Flanges



Internal Fixing  
Flanges



**1**

Unlock and open the door. Unclip the safety wire.



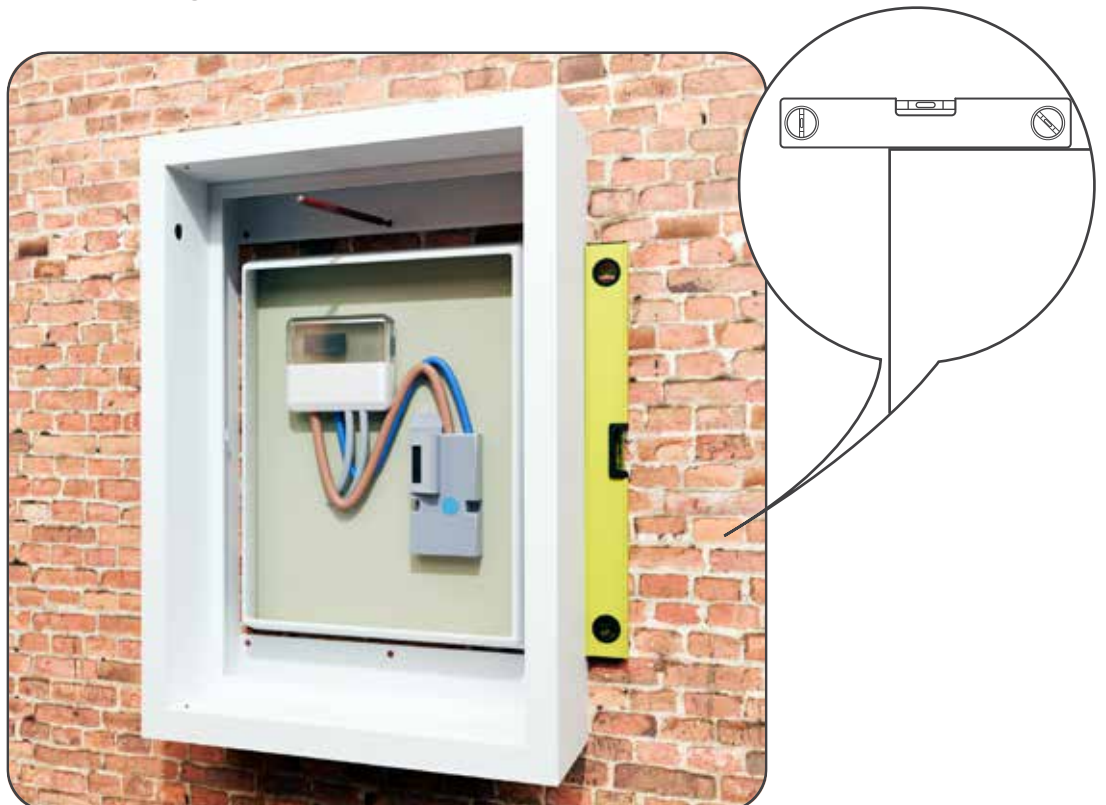
# 2

Hold and support the door, then disengage the sprung hinge pin by pushing in the opposite direction from the closest frame.



# 3

Place the outer frame over the meter into the desired position, level and mark the fixing holes.



Drill & fix the outer frame using 75mm screws and \*nylon washers, taking care not to overtighten the fixings.



\*The use of nylon washers are important to prevent thermal bridging. (See No.6)

Refit the door by re-engaging the sprung hinge pins into the holes, and refit the safety wire.



The seal (pictured below) is fitted to the back edge of the meter box housing to prevent thermal bridging.

A combination of an uneven wall and or overtightened fixings can result in damage/excessive compression of the seal.



Seal fitted to back of frame to prevent thermal bridging.

## THE EWI GAS METER BOX:



Looking for a  
Gas Meter Box?



Scan the code!