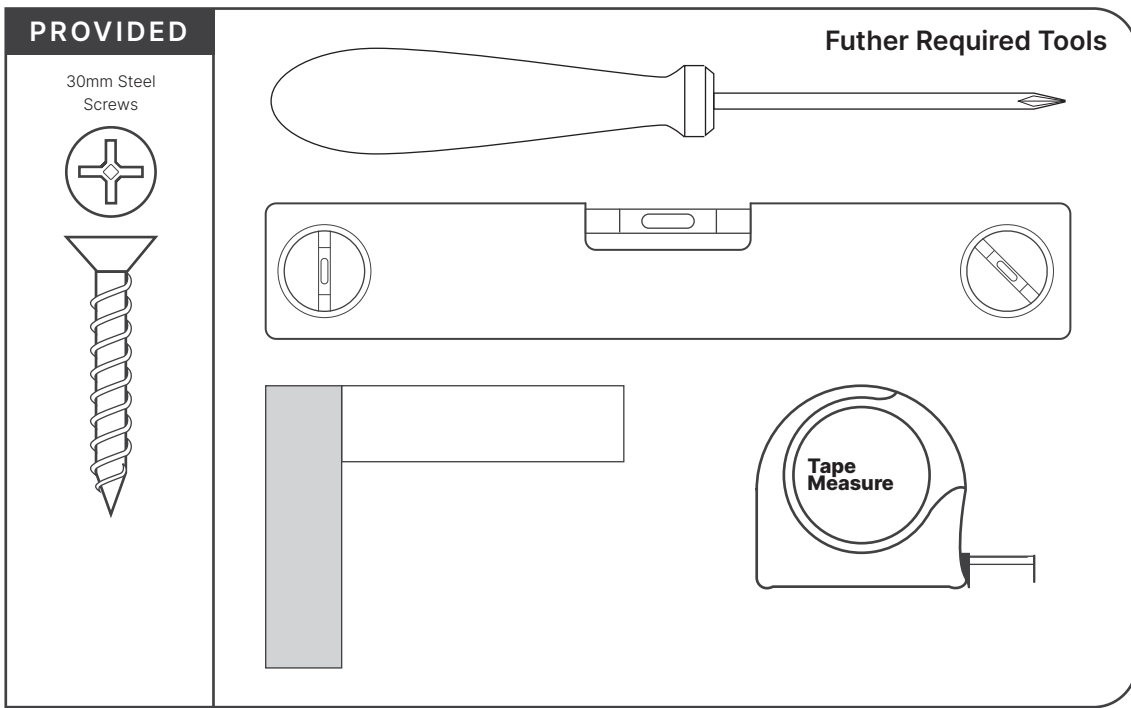
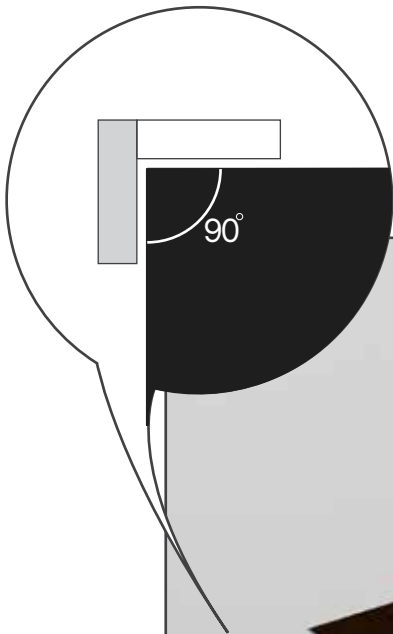


TRADITIONAL LT LOFT HATCH



Fitting
Instructions

1

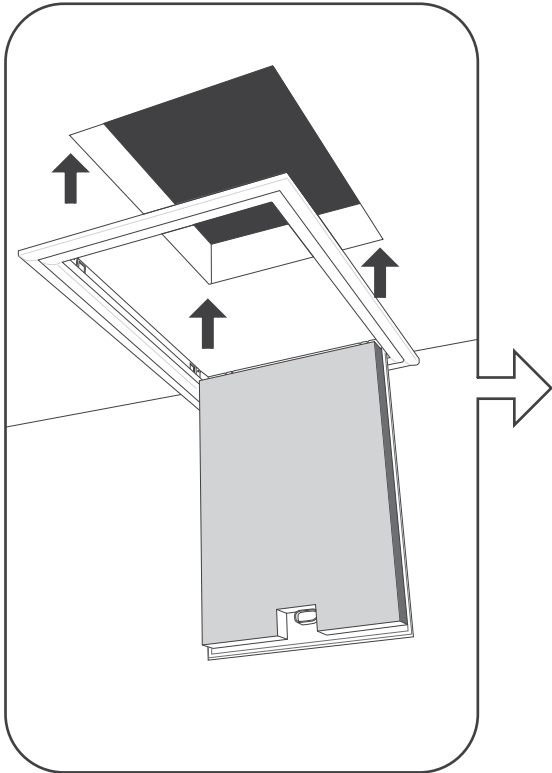


Form a suitable opening in the ceiling and between the joists, with minimum dimensions of 562 × 722mm.

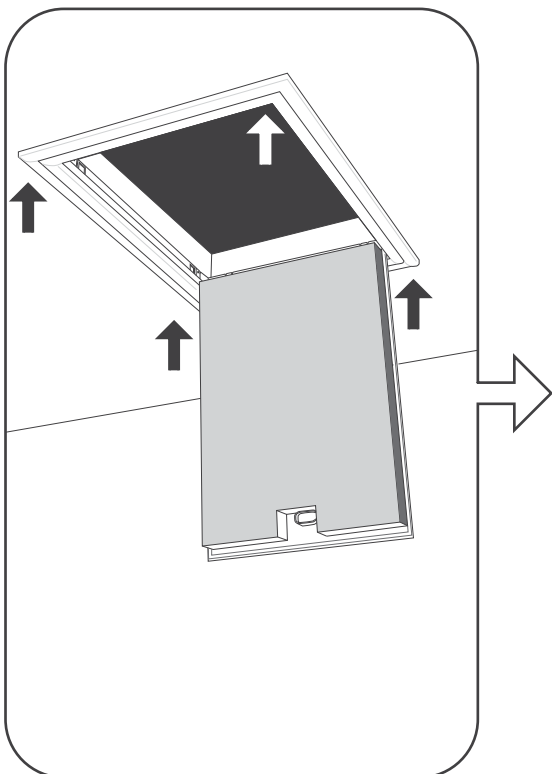


2

Open the hatch 90° and locate the frame into the prepared structural opening.

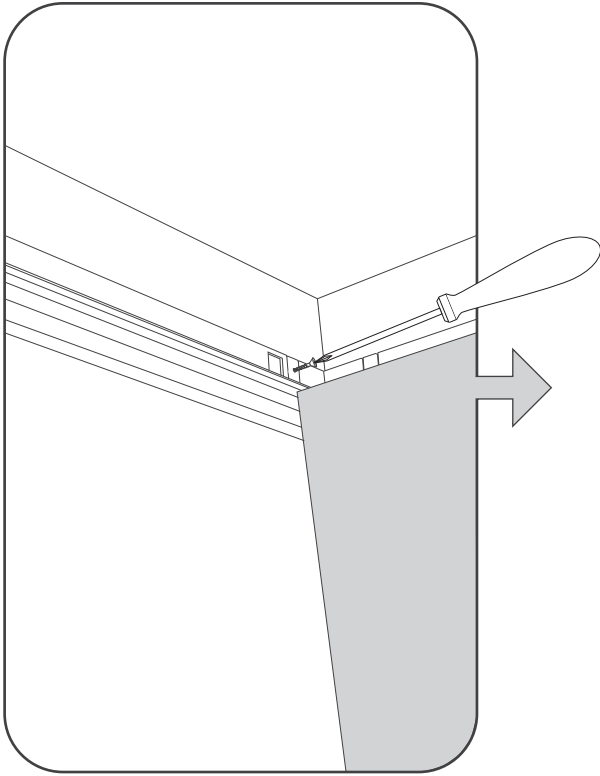
**3**

Push the frame tightly against the ceiling.



Fix the frame on the longer side using the 40mm screws through the pre-molded holes (avoid over-tightening).

Once secured, attach the remaining screws on the shorter side.



Close and secure the hatch door by turning the thumb catch system by 90°.

