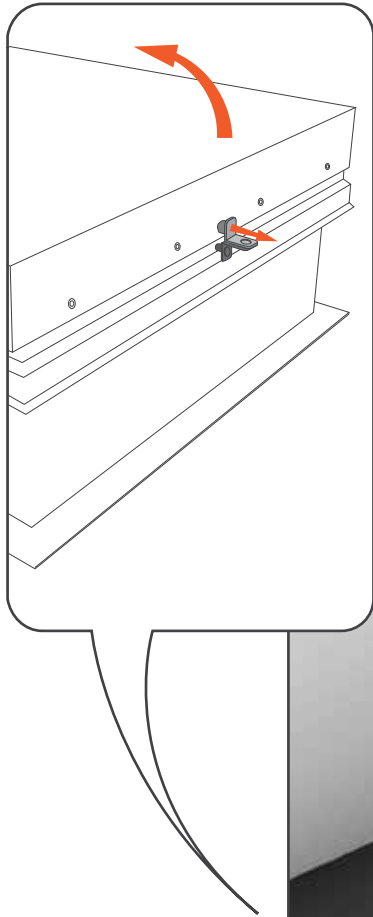
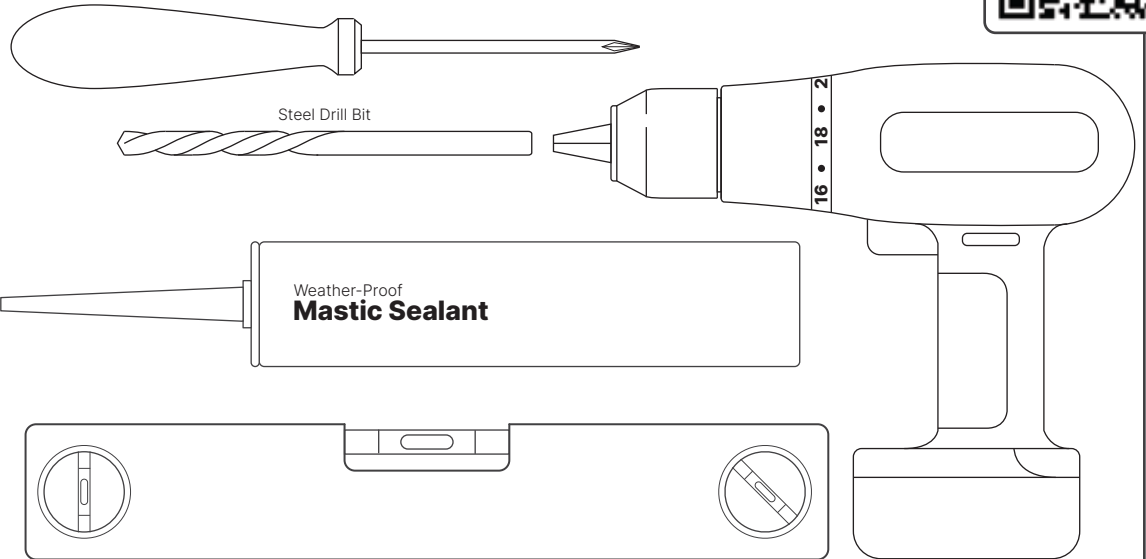
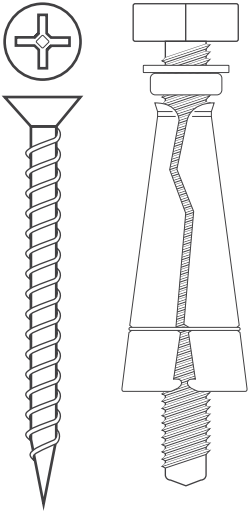


# Roof Hatch Fitting Instructions



Appropriate Fixings  
(dependant on roof &/or  
Structural opening type)



Ensure the hatch is stable & level when opening. **1**

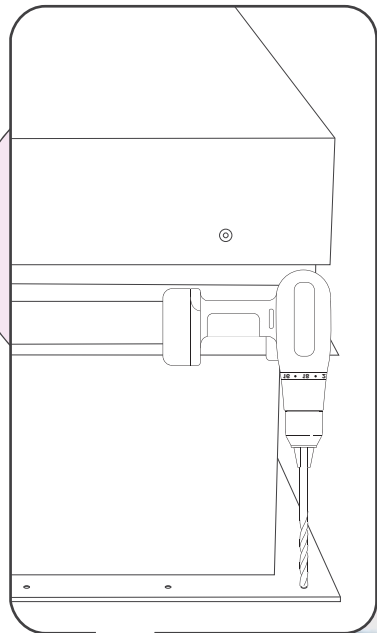
To open the lid, firmly pull the top catch, noting that it is operated by a gas strut and will open promptly and automatically .



Ensure that the clear opening match.

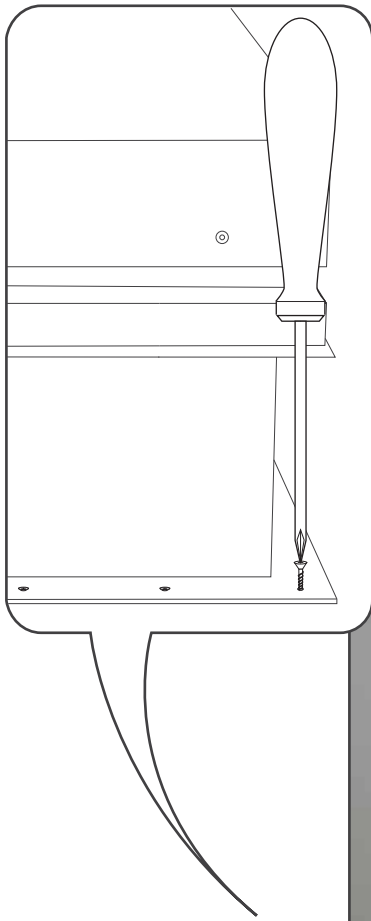


Drill several appropriately sized holes through the bottom fixing plate that correspond to your fasteners and the roof or supporting structure.



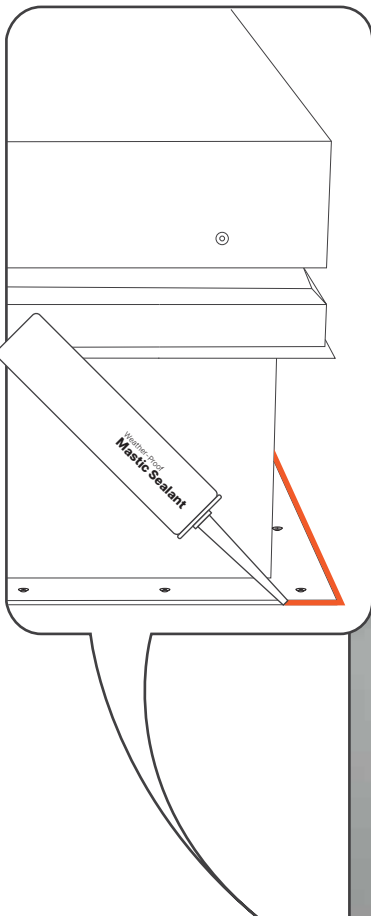
4

Secure the roof hatch to the roof or supporting structure using suitable fixings.



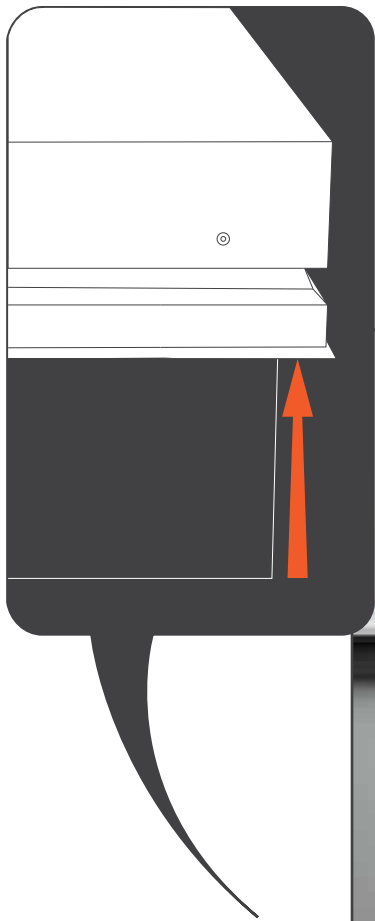
5

Apply weatherproof sealant to secure the fixing edge of the roof hatch to the roof.

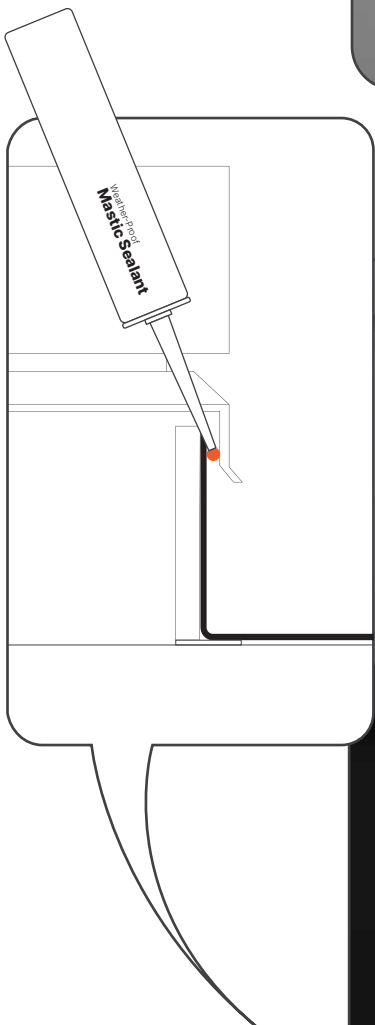


**6**

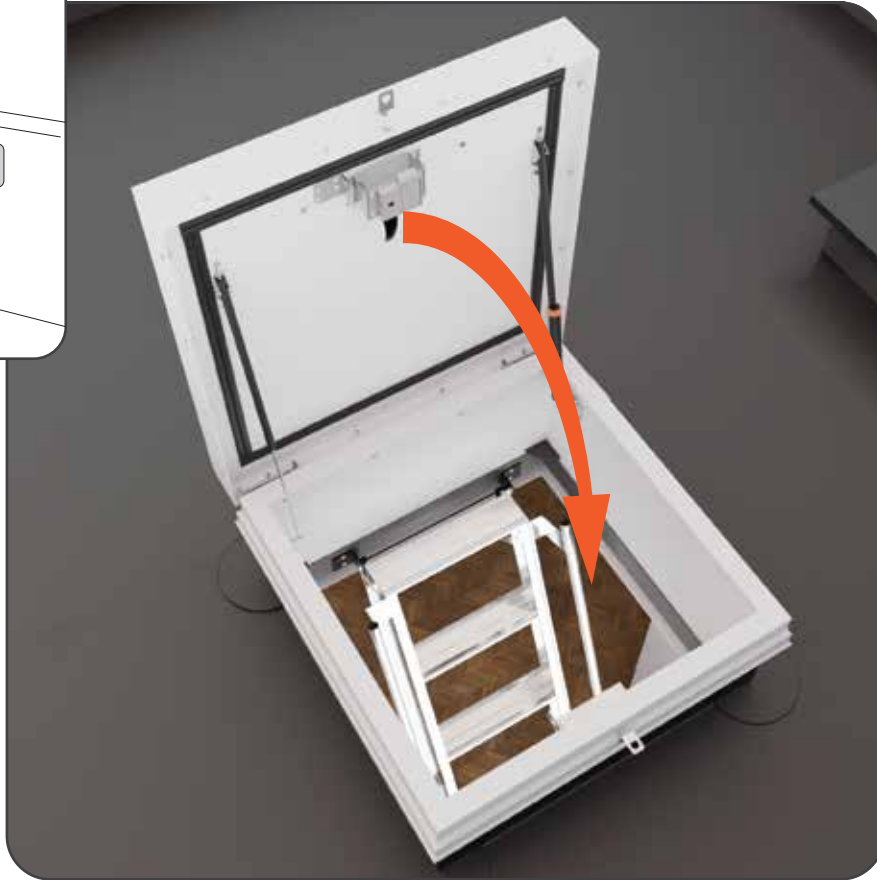
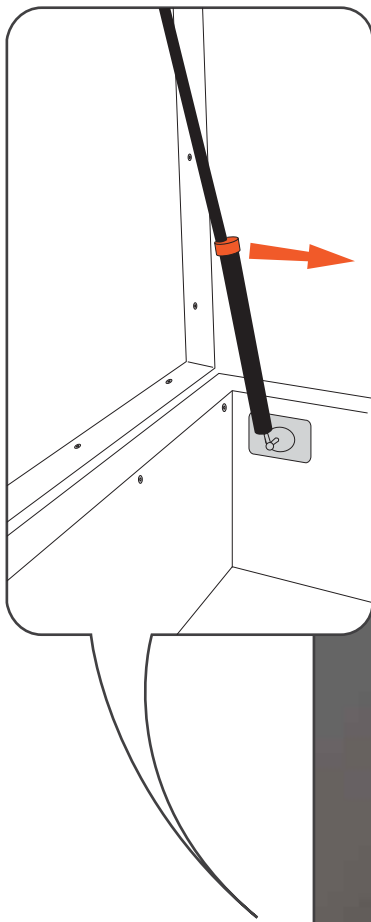
Apply the roofing membrane according to the manufacturer's instructions, ensuring the membrane extends under the rain fall-off strip around the center belly of the hatch.

**7**

Apply silicone to seal the membrane to the hatch beneath the rainfall-off strip.



To close the lid, pull the gas strut's safety catch forward and lower the lid until the locking mechanism latches.



### **Did you know?**

We can make any roof hatch in any RAL Colour...



Call our team to find out more!

 01423 874 753