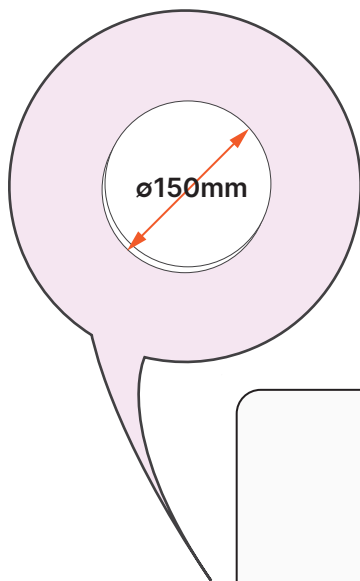
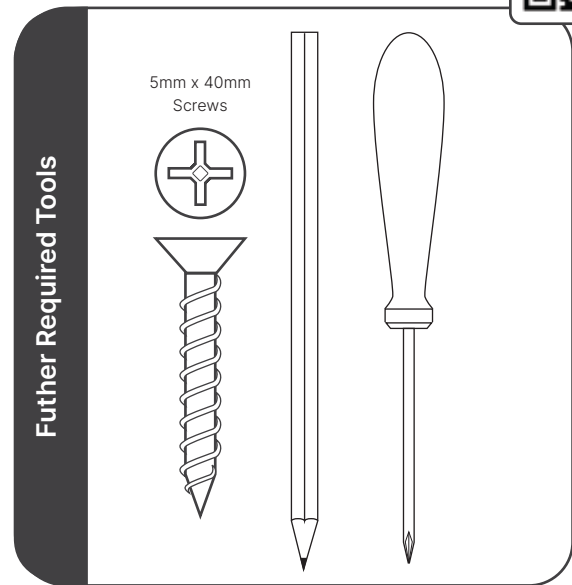




CODE	STRUCTURAL OPENING
SCAP150/SCAPB150	∅ 155mm
SCAP200/SCAPB200	∅ 205mm
SCAP300/SCAPB300	∅ 305mm
SCAP450/SCAPB450	∅ 455mm
SCAP600/SCAPB600	∅ 605mm



Form the suitable structural opening required for your product.

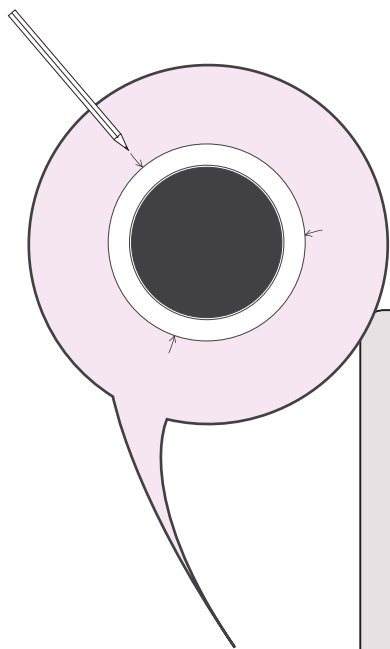
EXAMPLE:

A **SCAP200** access panel will require a hole cutting (structural opening) of **∅205mm**.



2

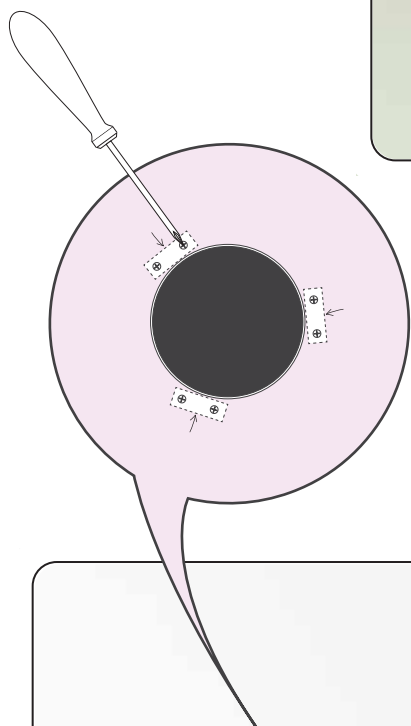
Position the base in the opening and mark the three inner fixing points on the ceiling.



3

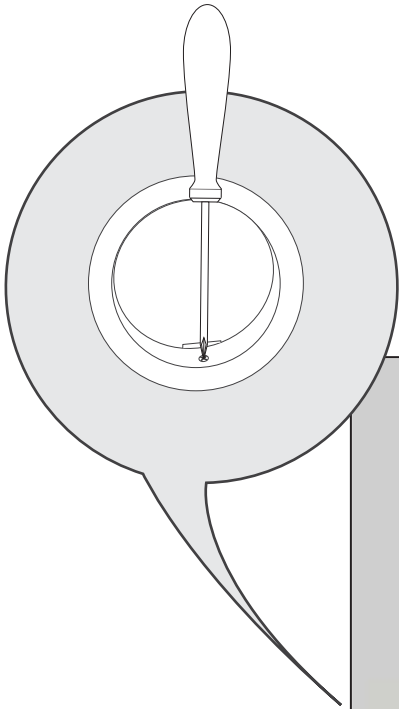
Affix three timber blocks to the inner side of the ceiling, aligning with the fixing points, and secure by screwing from the underside.

Fill or plaster the ceiling to cover the fixings.



4

Reposition the base into the opening and screw through the side wall into the wooden blocks.



5

Lift the lid into the base and turn counter-clockwise to secure the catches into the locking brackets

