
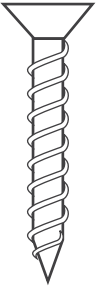
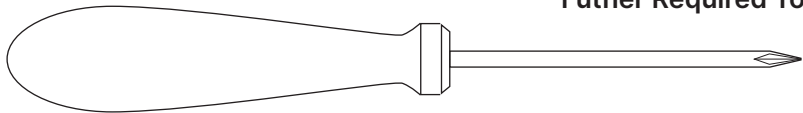
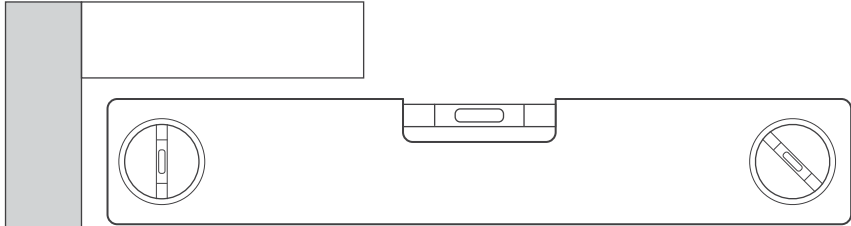


SDNL LOFT HATCH

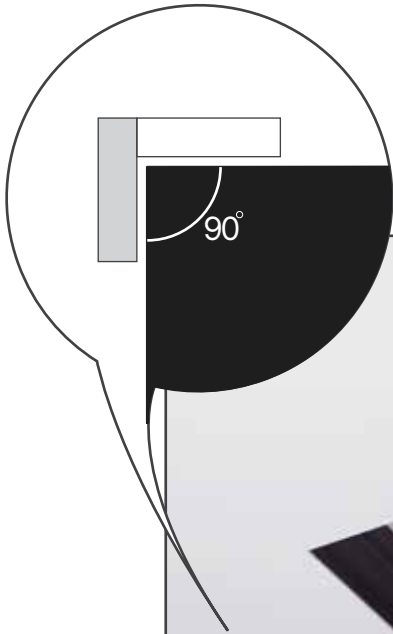
PROVIDED	Futher Required Tools
<p data-bbox="252 129 347 174">40mm Steel Screws</p>  	 



Fitting Instructions

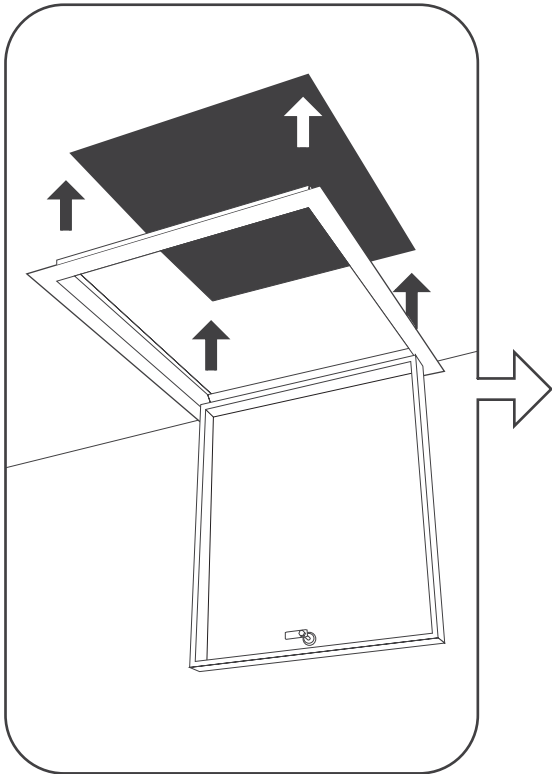
1

Form a suitable opening in the ceiling and between the joists.

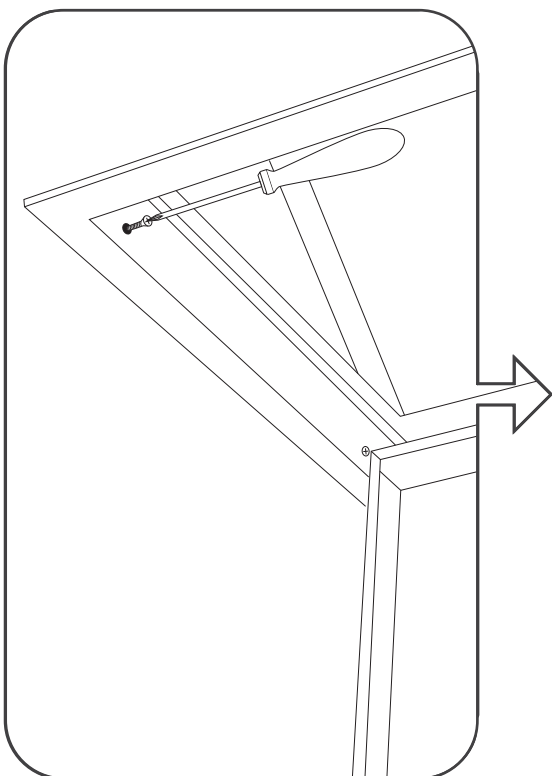


2

Open the hatch 90° and locate the frame into the prepared structural opening.

**3**

Fix the frame using all 4 screws through the pre-punched holes, found on the sides of the frame.



Close the hatch door and put the key into the lock.
Turn the key 90° to secure the door in the closed position.

