

Premium Aluminium Roof Hatch

62

ACCESS PANELS



MADE IN THE UK

- Single leaf Aluminium Roof Hatch c/w 50mm thick twin foil backed PIR insulation.
- Insulated to an industry leading U value of 0.43 W/m2K.
- Air Permeability BS EN 12207: 100pa (Class 4).
- Secure design.
- Fitted with twin gas assisted struts for easy opening c/w auto lock open strut.
- Supports a live load of 200 Kg per m2.
- The largest range of stock sizes for next day delivery on the internet.



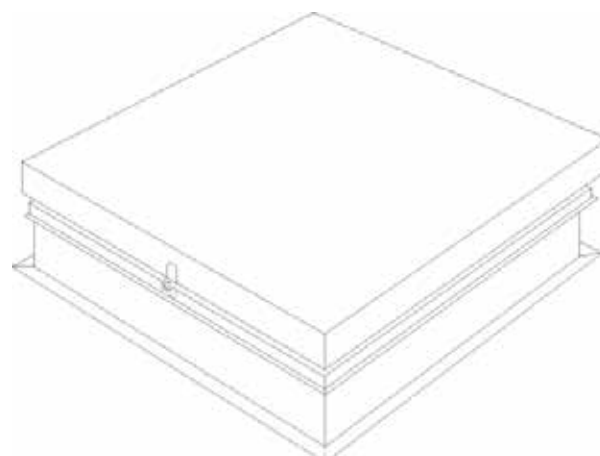
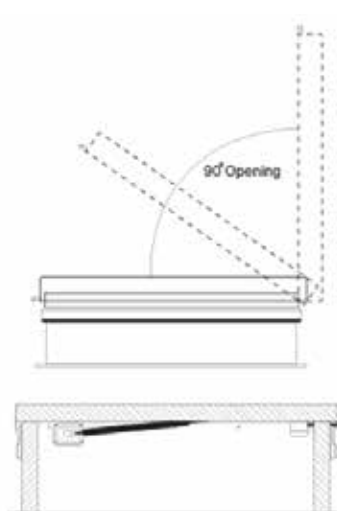
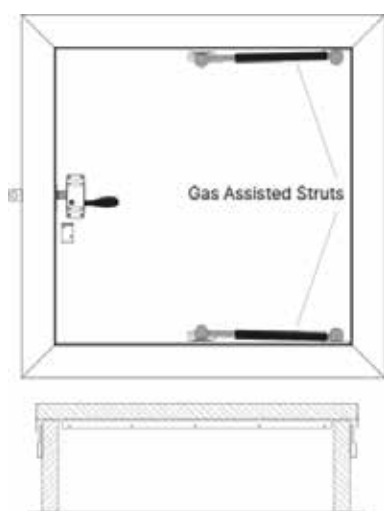
Finish Options:

- Mill Finish Aluminium
- Single Colour Powder Coated
- Dual Colour Powder Coated

CODE	LOCK	"U" Value	
SRHA-600×600	Internal Cab Lock/External Push Button	0.43	600×600mm
SRHA-600×900*	Internal Cab Lock/External Push Button	0.43	600×900mm
SRHA-750×750	Internal Cab Lock/External Push Button	0.43	750×750mm
SRHA-750×900*	Internal Cab Lock/External Push Button	0.43	750×900mm
SRHA-900×900	Internal Cab Lock/External Push Button	0.43	900×900mm
SRHA-1000×1000	Internal Cab Lock/External Push Button	0.43	1000×1000mm
SRHA-1350×750**	Internal Cab Lock/External Push Button	0.43	1350×750mm

Hinged on the short side*

Hinged on the long side**



T: 01423 874 753 E: info@accessbuildingproducts.co.uk

CELEBRATING OUR 20th YEAR

